

540-0125 e-PAD Power Keypad



This stand-alone keypad has recently been redesigned for water/dust resistance and solid-state circuit drivers replacing relays, providing cost-effective and simple power door lock/unlock and unlatch control. The keypad provides increased security and convenience to minimize system and installation cost. Demanding users in the travel trailer, tool box, utility truck and low end motorized RV market will appreciate the high-end functionality at a value price.

Global Locations:

TriMark Corporation
500 Bailey Avenue
P.O. Box 350
New Hampton, Iowa 50659
United States
Tel: 641-394-3188
Fax: 641-394-2392
1-800-447-0343
www.trimarkcorp.com

TriMark Europe
Unit 3
Sence Court
Bardon Hill
Coalville LE67 1GZ
United Kingdom
Tel: +44(0)1530 512460
Fax: +44(0)1530 512461
www.trimarkeu.com

TriMark (Xuzhou)
Building A5 Jingwu Road
Xuzhou Economic
Development Zone
Xuzhou, Jiangsu
221004 PR China
Tel: +86 516 8773 0018
Fax: +86 516 8773 0058
www.trimarkcn.com



TriMark. Interactive. Product. Selector



TriMark



TriMark Corporation



TriMark Corporation

FEATURES/BENEFITS:

- 12V capability to drive (5) TriMark 550-0100 actuators
- Easy and intuitive to operate
- Rugged and durable construction
- Compliant to on-road environmental requirements
- Tactile and audible feedback
- Over 3000 code combinations with tamper lock-out feature
- Vertical and horizontal orientations
- 5 user codes can be assigned
- Multiple layer code control
- Stand-alone keypad
- Gasket provides resistance to water and corrosion

AVAILABLE:

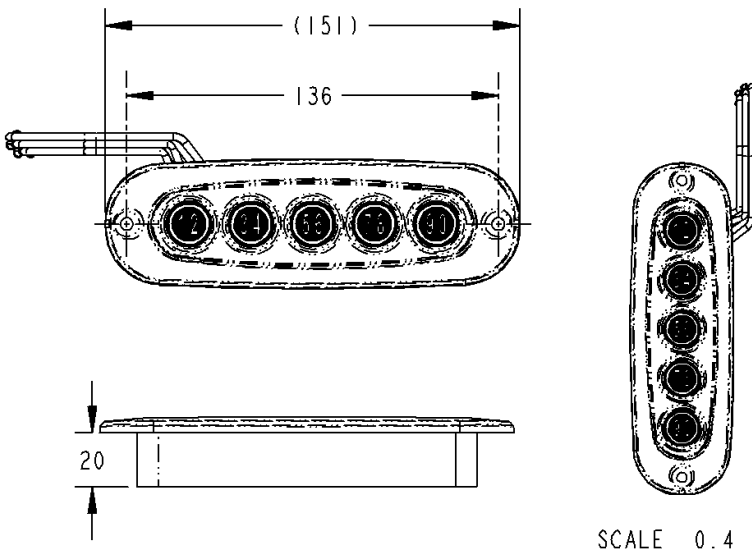
- Vertical and horizontal keypad
- Lighted keypad — optional
- Complete kit with wire harnesses and other accessories
- Customized wire harnesses

INSTALLATION:

- Keypad is easy to install with (2) #8 or M4 flat head screws (not included)
- Can be installed in a wide range of locations - either horizontal or vertical orientation
- Standard 12 VDC power
- Gasket provided
- Output of the keypad is internally regulated, but still requires a 5-Amp or 7.5-Amp fuse protecting the branch of the circuit dedicated solely to this keypad

Individual part dimensions are for reference only. Refer to individual part drawings for complete dimensions, specifications, and installation procedures. Engineering assistance and application drawings are available.

For more information visit
www.trimarkcorp.com



Improved Water Resistance

